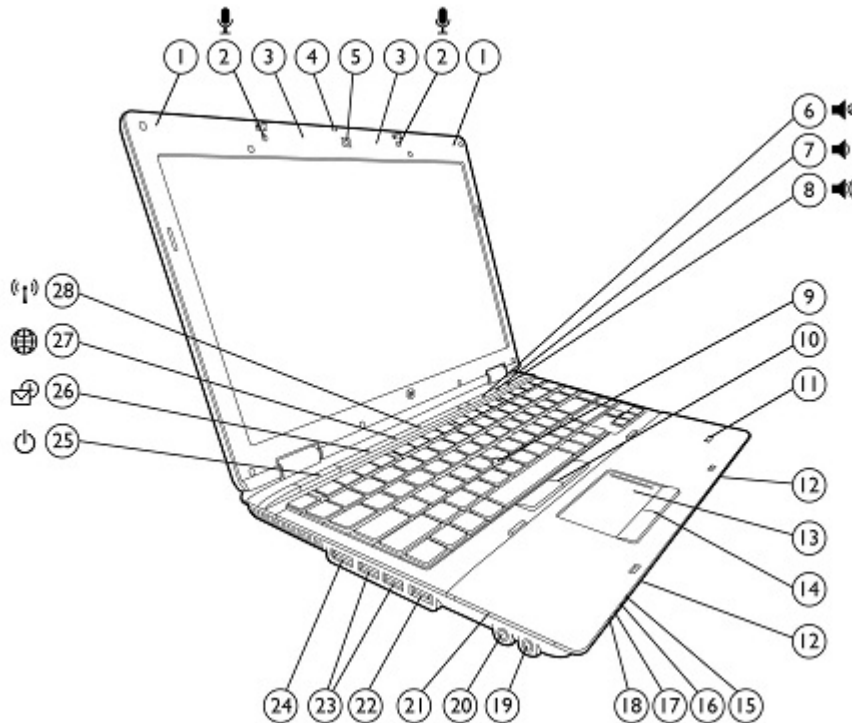


Overview

HP ProBook 6455b Notebook PC



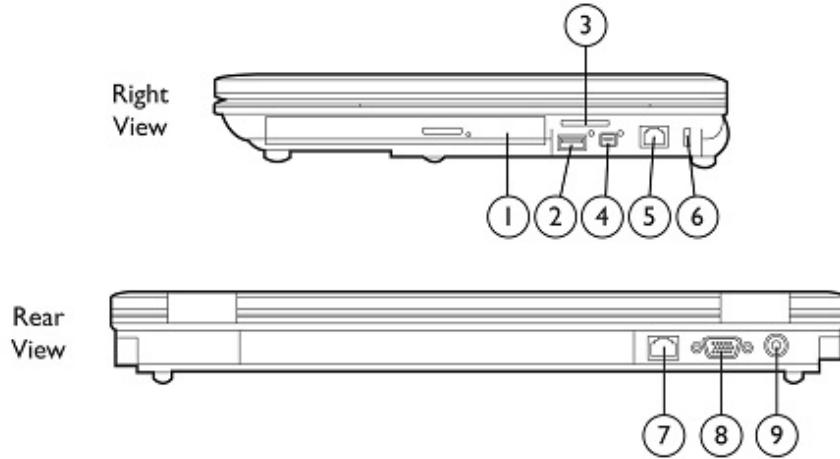
1. WWAN antennas (select models)
2. Dual-microphone array with optional webcam only*
3. WLAN antennas
4. Webcam LED indicator
5. Optional 2 MP webcam
6. Volume mute button with LED indicator
7. Volume down button with LED indicator
8. Volume up button with LED indicator
9. Optional pointstick
10. Pointstick pick buttons (with optional pointstick)
11. Optional HP Fingerprint Sensor
12. Stereo speakers
13. Touchpad with scroll zone
14. Touchpad pick buttons
15. Hard drive activity / HP 3D DriveGuard LED indicator
16. Battery charging LED indicator
17. Power/standby LED indicator
18. Wireless on/off LED indicator
19. Stereo headphone/line out
20. Stereo microphone/line in
21. ExpressCard/54 slot or optional Smart Card Reader
22. eSATA/USB combo port
23. (2) USB 2.0 port
24. DisplayPort
25. Power button with LED indicator
26. QuickLook button
27. QuickWeb button
28. Wireless on/off button with LED indicator

* Models without webcam have single integrated microphone on left side of display panel.

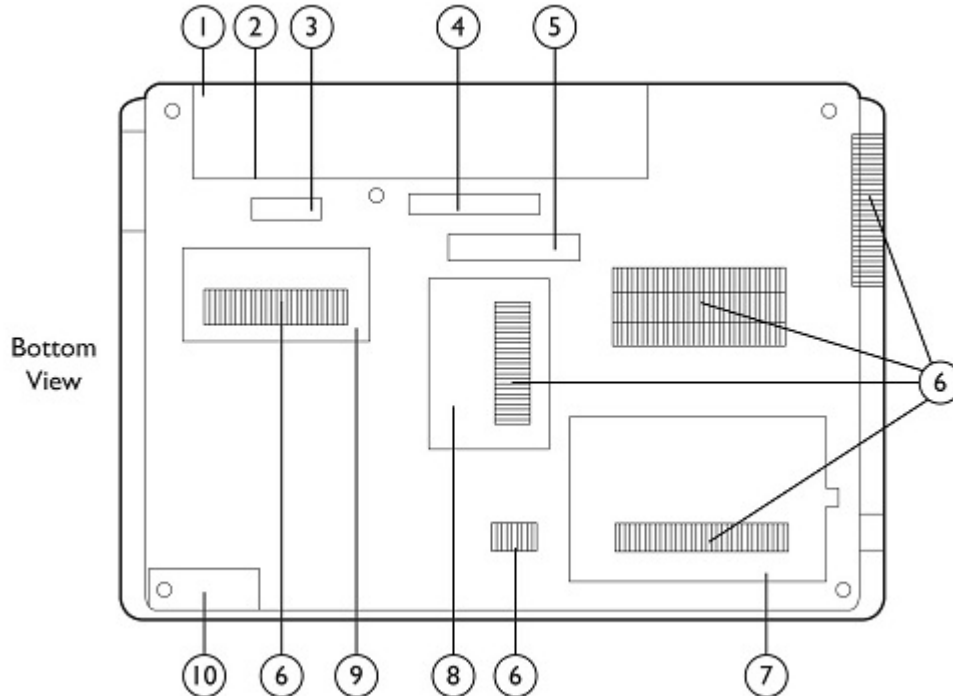
QuickSpecs

HP ProBook 6455b Notebook PC
HP ProBook 6555b Notebook PC

Overview



- | | |
|---|-----------------------------------|
| 1. Upgrade Bay (optical drive or second hard drive) | 6. Lock slot |
| 2. (1) USB 2.0 port | 7. RJ-45/Ethernet port |
| 3. Media Card Reader | 8. VGA/external monitor connector |
| 4. 1394a port | 9. Power connector |
| 5. RJ-11/modem port | |

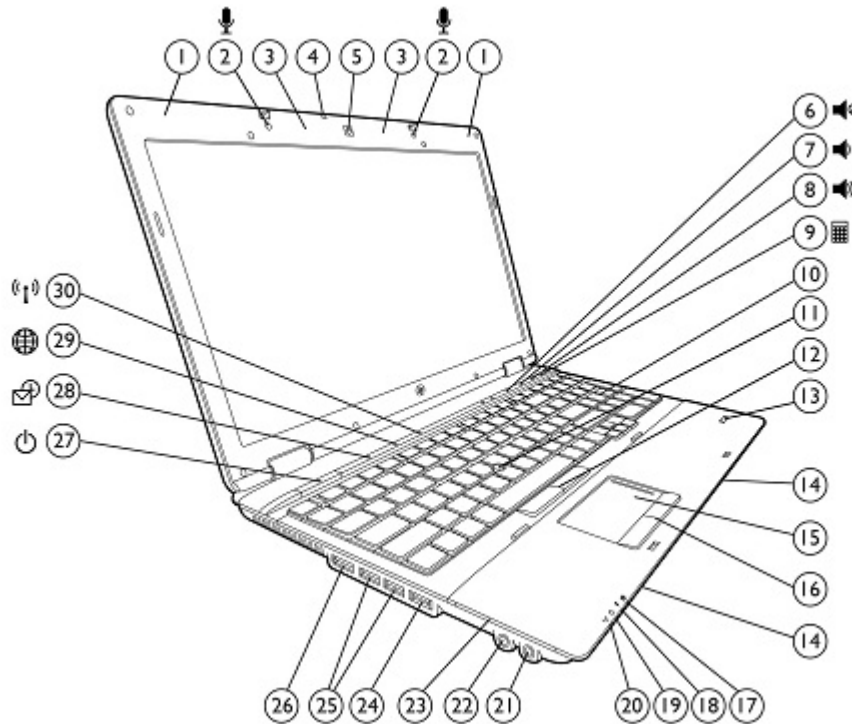


- | | |
|---|---|
| 1. Battery bay | 6. Vents |
| 2. SIM slot for WWAN (select models) – inside battery bay | 7. Hard drive bay |
| 3. Battery release latch | 8. Memory module compartment |
| 4. Docking connector | 9. WLAN/WWAN module compartment (select models) |
| 5. Secondary battery connector | 10. Bluetooth module compartment |



Overview

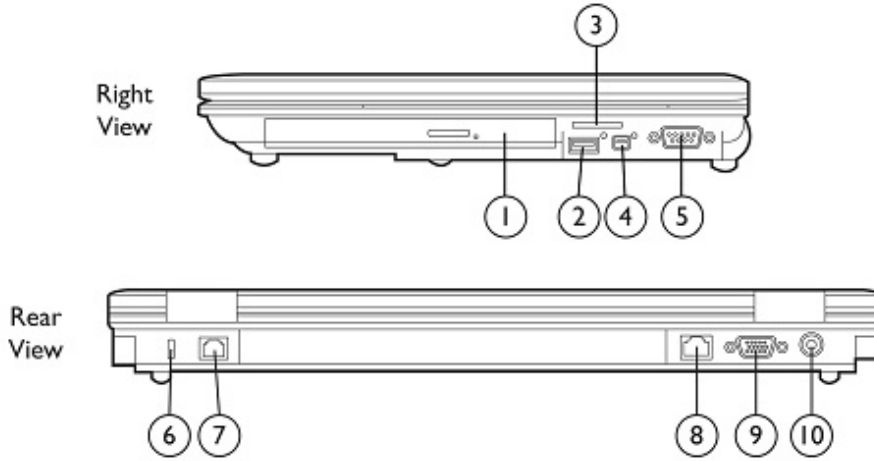
HP ProBook 6555b Notebook PC



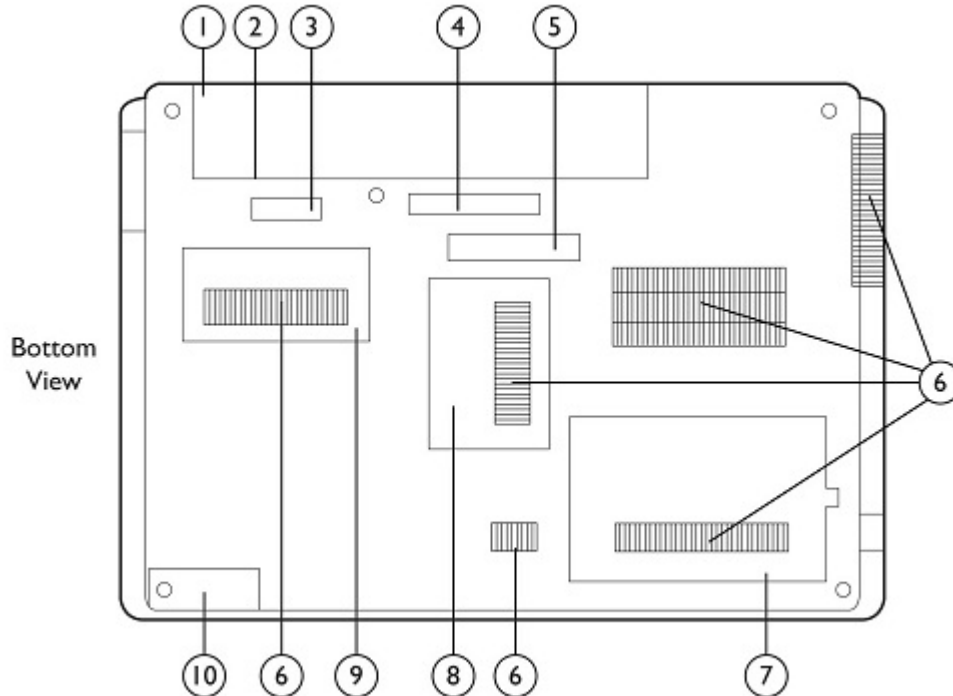
1. WWAN antennas (select models)
2. Dual-microphone array with optional webcam only*
3. WLAN antennas
4. Webcam LED indicator
5. Optional 2 MP webcam
6. Volume mute button with LED indicator
7. Volume down button with LED indicator
8. Volume up button with LED indicator
9. Calculator button
10. Separate numeric keypad
11. Optional pointstick
12. Pointstick pick buttons (with optional pointstick)
13. Optional HP Fingerprint Sensor
14. Stereo speakers
15. Touchpad with scroll zone
16. Touchpad pick buttons
17. Hard drive activity / HP 3D DriveGuard LED indicator
18. Battery charging LED indicator
19. Power/standby LED indicator
20. Wireless on/off LED indicator
21. Stereo headphone/line out
22. Stereo microphone/line in
23. ExpressCard/54 slot or optional Smart Card Reader
24. eSATA/USB combo port
25. (2) USB 2.0 port
26. DisplayPort
27. Power button with LED indicator
28. QuickLook button
29. QuickWeb button
30. Wireless on/off button with LED indicator

* Models without webcam have single integrated microphone on left side of display panel.

Overview



- | | |
|---|-----------------------------------|
| 1. Upgrade Bay (optical drive or second hard drive) | 6. Lock slot |
| 2. (1) USB 2.0 port | 7. RJ-11/modem port |
| 3. Media Card Reader | 8. RJ-45/Ethernet port |
| 4. 1394a port | 9. VGA/external monitor connector |
| 5. Serial port | 10. Power connector |



- | | |
|---|---|
| 1. Battery bay | 6. Vents |
| 2. SIM slot for WWAN (select models) – inside battery bay | 7. Hard drive bay |
| 3. Battery release latch | 8. Memory module compartment |
| 4. Docking connector | 9. WLAN/WWAN module compartment (select models) |
| 5. Secondary battery connector | 10. Bluetooth module compartment |

Overview

At A Glance

- Genuine Windows 7 versions and Genuine Windows Vista versions available through downgrade rights from Windows 7, Genuine Windows XP Professional available through downgrade rights from Windows 7 Professional, or FreeDOS
- New AMD architecture
 - ATI Mobility Radeon™ 4250 HD Graphics
 - AMD Phenom™ II Quad-Core, Triple-Core, or Dual-Core Mobile Processor, AMD Turion™ II Dual-Core Mobile Processor, or AMD Athlon™ II Dual-Core Processor
- Widescreen LED-backlit HD or HD+ display
 - HP ProBook 6455b: 14.0-inch diagonal
 - HP ProBook 6555b: 15.6-inch diagonal
- Starting at 5.0 lb/2.26 kg (6455b) or 5.5 lb/2.51 kg (6555b)
- Flexible wireless connectivity options:
 - Integrated HP un2420 EV-DO/HSPA Mobile Broadband Module provides worldwide Gobi mobile Internet technology with GPS
 - Integrated Broadcom 802.11 a/b/g/n or b/g/n wireless LAN module
 - Bluetooth® v2.1 +EDR
- Touchpad with scroll zone; optional pointstick
- Full-sized spill-resistant keyboard with drains; full separate numeric keypad on the HP ProBook 6555b
- Touch-sensitive controls for HP QuickLook 3, HP QuickWeb, wireless on/off, mute, volume down, volume up; calculator button on HP ProBook 6555b
- Choice of 9-cell (93 WHr) or 6-cell (55 WHr and 47 WHr) primary battery, or HP Long Life 6-cell (51 WHr) battery
- HP Long Life 3-cell (47 WHr) Battery available as after-market option
- Optional external batteries: HP Ultra-Capacity Battery, HP Extended Life Battery
- Optional integrated 2 MP Webcam with dual-microphone array
- Choice of 7200 rpm user-removable hard drive up to 320 GB with HP 3D DriveGuard protection, or 128 GB Solid State Drive
- Upgrade Bay for optical drive or optional second hard drive
- Media Card Reader
- New eSATA/USB 2.0 combo port
- Reliability with HP 3D DriveGuard, magnesium alloy support structure, HP DuraFinish, and spill-resistant keyboard with drains
- Security features including HP ProtectTools with Central Management, Computrace LoJack Pro ready, HP SpareKey, HP Disk Sanitizer, TPM 1.2;* optional Smart Card Reader (replaces ExpressCard slot), optional HP Fingerprint Sensor, and optional HP Privacy Filter
- HP Power Assistant allows you to conserve power, stretch battery run-time, accurately monitor your reported power need, and report workforce power consumption.
- HP QuickLook 3 for instant access to e-mail, calendar, and contacts; HP QuickWeb for fast access to the web
- HP DayStarter displays your calendar and battery charge while Windows starts up
- HP Support Assistant helps maintain your PC performance and resolve problems with automated updates and tune-ups, onboard diagnostics, and guided assistance.
- Options include HP Advanced Docking Station, HP Docking Station, HP USB 2.0 Docking Station, and HP Essential USB 2.0 Port Replicator
- BFR/PVC-free**, ENERGY STAR qualified and EPEAT Gold registered in the U.S. EPEAT status varies by country- please see epeat.net.

* TPM module disabled where not permitted by law (for example, Russia and China).

** This notebook is brominated flame retardant and polyvinyl chloride-free (BFR/PVC-free) on notebooks that are non-WWAN; meeting the evolving definition of 'BFR/PVC-free' as set forth in the "iNEMI Position Statement on the 'Definition of Low-Halogen' Electronics (BFR/CFR/PVC-Free)". Plastic parts contain < 1000 ppm (0.1%) of bromine [if the Br source is from BFRs] and < 1000 ppm (0.1%) of chlorine [if the Cl source is from CFRs or PVC or PVC copolymers]. Power supply and power cords are not BFR/PVC-free. Service parts after purchase may not be BFR/PVC-free.



Standard Features (availability may vary by country)

Processors

- AMD Phenom II Quad-Core Mobile Processor N930 (2.0 GHz, 35W, 2 MB L2 cache)
- AMD Phenom II Triple-Core Mobile Processor N830 (2.1 GHz, 35W, 1.5 MB L2 cache)
- AMD Phenom II Dual-Core Mobile Processor N620 (2.8 GHz, 35W, 2 MB L2 cache)
- AMD Turion II Dual-Core Mobile Processor N530 (2.5 GHz, 35W, 2 MB L2 cache)
- AMD Turion II Dual-Core Mobile Processor P520 (2.3 GHz, 25W, 2 MB L2 cache)
- AMD Athlon II Dual-Core Processor for Notebook PCs P320 (2.1 GHz, 25W, 1 MB L2 cache)

NOTE: Processor speed denotes maximum performance mode; processors will run at lower speeds in battery optimization mode.

Operating System

| | |
|---------------------|--|
| Preinstalled | Genuine Windows 7 Professional Edition 32* Genuine Windows 7 Professional Edition 64* Genuine Windows XP Professional available through downgrade rights from Genuine Windows 7 Professional)*† FreeDOS |
| Supported | Genuine Windows 7 Enterprise 32* Genuine Windows 7 Enterprise 64* Genuine Windows 7 Ultimate 32* Genuine Windows 7 Ultimate 64* Genuine Windows Vista Enterprise 32** Genuine Windows Vista Enterprise 64** |
| Certified | SuSE Linux Enterprise Desktop 11 |

* System may require upgraded and/or separately purchased hardware and/or a DVD drive to install the Windows 7 software and take full advantage of Windows 7 functionality. See <http://www.microsoft.com/windows/windows-7/> for details.

** Certain Windows Vista product features require advanced or additional hardware. See: <http://www.microsoft.com/windowsvista/getready/hardwarereqs.mspx> and <http://www.microsoft.com/windowsvista/getready/capable.mspx> for details. Windows Vista Upgrade Advisor can help you determine which features of Windows Vista will run on your computer. To download the tool, visit: <http://www.windowsvista.com/upgradeadvisor>.

† Windows 7 Business disk may be included for future upgrade if desired. To qualify for this downgrade an end user must be a business (including governmental or educational institutions) and is expected to order at least 25 customer systems with the same custom image.

Chipset AMD M880G Chipset

Graphics ATI Mobility Radeon HD 4250
Microsoft DirectX 10.1 capable



Standard Features (availability may vary by country)

| | | |
|---------|----------|---|
| Display | Internal | HP ProBook 6455b: 14.0-inch diagonal LED-backlit HD anti-glare (1366 x 768 resolution) |
| | | HP ProBook 6555b: 15.6-inch diagonal LED-backlit HD anti-glare (1366 x 768 resolution) 15.6-inch diagonal LED-backlit HD+ WVA anti-glare (1600 x 900 resolution) |
| | External | HP Privacy Filter support Up to 32-bit per pixel color depth DisplayPort supports resolutions up to 2560 x 1600, 30-bit color depth at 60 Hz, and full HD (1920 x 1080) monitors, 24-bit color depth at 120 Hz VGA port supports resolutions up to 2048 x 1536 at 75 Hz, and lower resolutions at up to 100 Hz DVI-D (single link) video signal available through DVI port in optional HP Docking Station (sold separately) supports resolutions up to 1600 x 1200 at both full and reduced blanking, and 1920 x 1200 at reduced blanking NOTE: Resolutions are dependent upon monitor capability, and resolution and color depth settings. |

| | | |
|--------|--------------|---|
| Memory | Standard | DDR3 PC3-10600 SDRAM (1333 MHz)* Two SODIMM slots supporting dual-channel memory 1024 MB, 2048 MB and 4096 MB SODIMMs |
| | Maximum | Upgradeable to 8192 MB with 4096 MB SODIMMs in slots 1 and 2 |
| | Dual-channel | Maximized dual-channel performance requires SODIMMs of the same size and speed in both memory slots. |

* Memory speed is processor dependent.
NOTE: Due to the non-industry standard nature of some third-party memory modules, we recommend HP branded memory to ensure compatibility. If you mix memory speeds, the system will perform at the lower memory speed. Full availability of 4 GB or more of memory requires a Windows 64-bit operating system or Linux. With Windows 32-bit operating systems, the amount of usable memory is dependent upon your configuration, so that above 3 GB all memory may not be available due to system resource requirements.

| | |
|----------------|---|
| Communications | Integrated Marvell Gigabit Ethernet PCI Controller (10/100/1000 NIC)* 56K V.92 modem** * The term "10/100/1000" or "Gigabit" Ethernet indicates compliance with IEEE standard 802.3ab for Gigabit Ethernet, and does not connote actual operating speed of 1 Gb/s. For high-speed transmission, connection to a Gigabit Ethernet server and network infrastructure is required. ** Designed for downloads from 56K modem compliant sources. Maximum achievable download transmission rates currently do not reach 56 KB/s, and will vary with line conditions. Modem availability is subject to country regulatory approval. |
|----------------|---|



Standard Features (availability may vary by country)

Wireless Devices

Support for a broad range of secure, integrated wireless LAN and wireless WAN options featuring support for the latest industry standards. Broadband Wireless (WWAN) requires a Windows operating system and is available in select countries as a standard, factory configurable feature only. Integrated Bluetooth is also available (factory configurable only) and can be combined with any of the supported wireless LAN and wireless WAN options.

HP un2420 EV-DO/HSPA Mobile Broadband Module Integrated mobile broadband module with Gobi global mobile Internet technology that provides connectivity to both CDMA (EVDO) and UMTS (HSPA) networks. It also provides GPS functionality for various mapping applications and security applications such as Computrace LoJack Pro Premium for HP ProtectTools.
NOTE: Separately purchased mobile network operator service is required. Two 850/900/1575/1800/1900/2100 MHz antennas integrated in the top of the display panel support current and future WWAN technologies.

All 802.11 integrated wireless LAN options Wi-Fi Certified*
Cisco Compatible Extensions support
Wired Equivalent Privacy (WEP) support up to 128-bit keys
Wi-Fi Protected Access (WPA) and WPA2 support
802.1x authentication support, including EAP-TLS, EAP-TTLS, PEAP-GTC, PEAP-MSCHAPv2, and LEAP
Advanced Encryption Standard (AES) support
Dual antennas integrated in the display enclosure

Broadcom 4322AGN 802.11a/b/g/n WiFi Adapter Integrated support for 802.11 a, b, g, and n
Up to 300 mbps data rate

Broadcom 4313GN 802.11b/g/n WiFi Adapter Integrated support for 802.11 b, g, and n
Up to 72 mbps data rate

HP Integrated Module with Bluetooth 2.1 +EDR Wireless Technology Bluetooth Specification v2.1 +EDR compliant
Works with a wide range of Bluetooth devices

Keyboard

The HP spill-resistant keyboard is designed using a thin layer of Mylar film under the keyboard and a drain system that funnels fluid through a hole in the bottom of the notebook. This minimizes the risk of damage to sensitive components underneath. The 101/102-key compatible keyboard features a full-pitch key layout with desktop keyboard features, such as the isolated inverted-T cursor control keys, editing keys, both left and right control and alt keys, 12 function keys, and 19.05 x 19.05 mm key pitch (center-to-center spacing). U.S. and International key layouts are available. Other features include hotkeys for instant access to power conservation and brightness. The HP ProBook 6555b Includes a separate numeric keypad.

Touch-sensitive controls

Touch-sensitive controls provide easy access to the following features: HP QuickLook 3, HP QuickWeb, wireless on/off, volume mute, volume up, volume down. The HP ProBook 6555b also features a calculator button



Standard Features (availability may vary by country)

| | |
|-----------------------------|---|
| Pointing device | Touchpad with scroll zone, two pick buttons Optional pointstick with two additional pointstick buttons |
| Expansion card slots | ExpressCard/54 slot Supports ExpressCard/54 and ExpressCard/34 or Optional Integrated Smart Card Reader (replaces ExpressCard/54 slot) Compatible with ISO 7816 compliant Smart Cards PC/SC interface support Media Card Reader Supports SD (Secure Digital), HC-SD (High Capacity Secure Digital), MMC (MultiMedia Card), HS-MMC (MultiMedia Card Plus), Sony Memory Stick, Sony Memory Stick Pro, Memory Stick Duo*, xD-Picture card Additionally, the following cards are supported via passive adapters (sold separately): Mini-Secure Digital (Mini-SD), Transflash (Micro-SD), Reduced size Multimedia card (RS-MMC), Reduced size Dual voltage Multimedia card, MMC Mobile Cards, MMC Micro Cards, Memory Stick Duo (MS Duo)*, Memory Stick Duo Pro (MS Duo Pro)*, Memory Stick M2 Micro <i>* Memory Stick Duo Adapters are required and sold separately. Inserting a Memory Stick Duo Card directly into your notebook could damage the memory card and/or notebook.</i> |
| Internal Storage | Hard drives 160/250/320 GB 7200 rpm SMART SATA II 320 GB 7200 rpm SMART SATA II Self Encrypting Drive NOTE: These hard drives are customer removable and will withstand multiple insertion/removal cycles. Up to 10 GB is reserved for the system recovery software. HP 3D DriveGuard (Windows only) The hard drive is mounted directly to the notebook frame, reducing the transmission of shock to the hard drive. Uses three-axis digital motion detection with intelligent sensitivity to help protect the hard drive during normal use from shock and vibration. The digital accelerometer temporarily halts all data transfer and parks the hard drive when abrupt motion is detected. Solid State Drive 128 GB |
| Upgrade Bay | Fixed 12.7 mm SATA optical drive DVD+/-RW SuperMulti DL LightScribe Drive DVD-ROM Drive Weight saver |



Standard Features (availability may vary by country)

| | | |
|------------|-----------------------------|-------------------------------------|
| Interfaces | ExpressCard/54 slot | One (or optional Smart Card Reader) |
| | External monitor | Two – (1) DisplayPort, (1) VGA |
| | 1394a | One |
| | Stereo microphone in | One |
| | Stereo headphone/line out | One |
| | Power connector | One |
| | RJ-11/modem | One |
| | RJ-45/Ethernet | One |
| | USB 2.0 | Three |
| | eSATA/USB 2.0 combo | One |
| | Serial port | One (HP ProBook 6555b only) |
| | Docking connector | One |
| | Secondary battery connector | One |

Audio/Visual

HP Premier Sound™
Integrated stereo speakers
Integrated microphone (dual-microphone array when equipped with optional 2 MP webcam)
Touch-sensitive controls for volume up, volume down, and mute
Stereo headphone/line out
Stereo microphone/line in

Optional 2 MP webcam

- Supports videoconferencing and still image capture
 - Large image sensor for excellent color matching and good low light sensitivity
 - Up to 30 frames/sec
 - Fixed focus lens
 - Video capture at VGA, 1.3 Mpixel, and 2 Mpixel resolutions
 - 16-bit true color (camera sensors output YCrCb format among others)
-



Standard Features (availability may vary by country)

| | | |
|-----------------|--|--|
| Software | Preinstalled software with Windows operating system | <ul style="list-style-type: none"> HP Recovery Manager (available with Windows 7 or Vista only) HP Support Assistant (available with Windows 7 or Vista only) HP ProtectTools Security Manager HP ProtectTools for Central Management HP Quick Launch Buttons Software HP QuickLook 3 HP QuickWeb HP Power Assistant HP Connection Manager 3.1 HP Wireless Assistant HP DayStarter Microsoft Office Professional 2007 60-day Convertible Trial McAfee Total Protection* PDF Complete Special Edition** Intervideo WinDVD – DVD Player (select models) Roxio Creator Business (select models) HP Webcam Software (select models) Skype WinZip 14 trial |
| | Additional software available from the web | <ul style="list-style-type: none"> HP SoftPaq Download Manager |
| | | <p>* 60 day trial period for McAfee Total Protection for Small Business software. Internet access required to receive updates. First update included. Subscription required for updates thereafter.</p> <p>** 60 day trial; purchase license afterwards for full functionality.</p> |

HP Recovery Manager Models shipped with Windows 7 or Windows Vista include HP Recovery Manager. HP Recovery Manager enables fast recovery of the factory preinstalled image if the system becomes corrupted or if important system files are accidentally deleted. Up to 10 GB of the hard drive is reserved for the system recovery software.

| | | |
|-----------------|--------------------------|--|
| Security | Standard Features | <ul style="list-style-type: none"> HP ProtectTools Security Manager Enhanced Pre-Boot Security HP SpareKey One-Step Logon Setup Password TPM 1.2 Embedded Security Chip* TPM Enhanced DriveLock* HP Disk Sanitizer Lock slot Support for Computrace** LoJack Pro for HP ProtectTools |
| | Optional Features | <ul style="list-style-type: none"> Smart Card Reader (replaces ExpressCard/54 slot) Compatible with ISO 7816 compliant Smart Cards PC/SC interface support HP Fingerprint Sensor Enhanced sensor scans the fingerprint to uniquely identify and authenticate a person. HP Privacy Filter Narrows viewing area so that screen data is visible only to persons directly in front of the monitor. |



Standard Features (availability may vary by country)

CompuTrace LoJack Pro Premium for HP ProtectTools with GPS Tracking** *Subscription based security solution providing the ability to track, initiate physical recovery, conduct asset management, and perform remote data delete by utilizing GPS technology. GPS functionality requires HP un2420 EV-DO/HSPA Mobile Broadband Module.*

* TPM module disabled where use is restricted by law; for example, Russia and China.

** The CompuTrace agent is shipped turned off, and must be activated by customers when they purchase a subscription with terms ranging from one to five years.

For more information on HP security solutions refer to: <http://www.hp.com/go/security>.

HP ProtectTools Security Manager with Central Management

HP ProtectTools Security Manager is the security platform for business notebooks and desktops. The HP ProtectTools Security Manager is an extensible client security console that delivers enhanced security capabilities through add-on software modules. The following modules are available on the hard drive (also downloadable from the web) and can be configured in Software Setup:

- Credential Manager for HP ProtectTools
- Device Access Manager for HP ProtectTools
- Drive Encryption for HP ProtectTools
- File Sanitizer for HP ProtectTools
- Privacy Manager for HP ProtectTools (Chat & Sign)
- Embedded Security for HP ProtectTools
- CompuTrace LoJack Pro for HP ProtectTools

HP ProtectTools is now centrally manageable with the capability to manage notebooks from a single point. Security is management ready out of the box, in partnership with Digital Persona. New features address requirements that customers expect from a centrally managed security solution such as user provisioning, credential reset, and credential revocation.

HP ProtectTools provides two separate management solutions, targeted at the enterprise and the SMB:

- Digital Persona Pro AD: Designed for the enterprise customer. Integrates with Active Directory and gives IT Managers the ability to provision users, create login policies based on passwords, biometrics or smartcards. Management features also include remote credential recovery in case the user forgets the password, loses the smartcard or cannot use the fingerprint reader for any reason. In addition, advanced auditing capabilities are also built in. Digital Persona Pro AD is available now.
- Digital Persona Pro Workgroup: Designed for the small business customer. Provides features similar to the Active Directory version, but for workgroups. Workgroup activation is built into HP ProtectTools, and activation of up to 5 seats is completely free.

Power Supply

External 90-watt Smart AC adapter, 6-foot (1.8 meter) power cord included.
Total length including external AC adapter is 12 feet (3.66 meter).
HP Fast Charge*

*HP Fast Charge recharges your battery up to 90% within 90 minutes when the system is off. HP Fast Charge does not apply to the 9-cell primary battery, the 12-cell Ultra-Capacity batteries, or the HP Long Life Battery.



QuickSpecs

HP ProBook 6455b Notebook PC
HP ProBook 6555b Notebook PC

Standard Features (availability may vary by country)

| | | |
|----------------|---|--|
| Battery | Primary battery | HP 9-cell (93 WHr) Li-Ion battery HP 6-cell (55 WHr) Li-Ion battery HP Long Life 6-cell (51 WHr) battery |
| | Optional HP Long Life Battery | 3-cell (47 WHr) Li-Ion battery |
| | Optional HP Extended Life Battery | 8-cell (52 WHr) Li-Ion battery |
| | Optional HP Ultra-Capacity Battery | 12-cell (95 WHr) Li-Ion battery |

| | | | |
|----------------------------|--|-----------------------------------|-----------------------------------|
| Battery Life | | HP 9-cell (93 WHr) Primary | HP 6-cell (55 WHr) Primary |
| | HP ProBook 6455b | | |
| | Primary battery | Up to 9 hours | Up to 5 hours and 30 minutes |
| | Primary battery and optional HP Extended Life Battery | Up to 14 hours and 30 minutes | Up to 11 hours |
| | Primary battery and optional HP Ultra-Capacity Battery | Up to 18 hours | Up to 15 hours |
| | HP ProBook 6555b | | |
| | Primary battery | Up to TBD hours | Up to TBD hours |
| | Primary battery and optional HP Extended Life Battery | Up to TBD hours | Up to TBD hours |
| | Primary battery and optional HP Ultra-Capacity Battery | Up to TBD hours | Up to TBD hours |
| System Standby Time | Up to TBD week | | |

| | |
|---------------------------|---|
| Power Conservation | ATI PowerPlay technology Hibernation Standby ACPI compliance |
|---------------------------|---|

| | |
|---------------------------|--|
| Docking and Stands | HP 90W Docking Station HP 120W Advanced Docking Station HP USB 2.0 Docking Station HP Essential USB 2.0 Port Replicator HP Dual Hinge Notebook Stand HP Display & Notebook Stand HP Adjustable Display Stand HP Adjustable Dual Display Stand |
|---------------------------|--|



Standard Features (availability may vary by country)

Service and Support

HP Services offers limited 3-year, 1-year and 90-day warranty options depending on country. On-site service and warranty upgrades are also available. HP Care Pack Services extend service contracts beyond the standard warranties. To choose the right level of service for your HP product, use the HP Care Pack Services Lookup Tool at: <http://www.hp.com/go/lookuptool>. Additional HP Care Pack Services information by product is available at: <http://www.hp.com/hps/carepack>.

NOTE: Certain restrictions and exclusions apply. Consult the HP Customer Support Center for details. <http://h20000.www2.hp.com/bizsupport/TechSupport/ProductRoot.jsp>.



Options (availability may vary by country)

| | | |
|----------------------------------|--|---------|
| Memory | HP 1 GB (DDR3 1333 MHz) SODIMM | AT911AA |
| | HP 2 GB (DDR3 1333 MHz) SODIMM | AT912AA |
| | HP 4 GB (DDR3 1333 MHz) SODIMM | AT913AA |
| Storage | HP Upgrade Bay SATA DVD+/-RW SuperMulti DL LightScribe Drive | AK869AA |
| | HP 250 GB Pocket Media Drive | FE477AA |
| | HP External USB Drive CD/DVD R/RW | FS943AA |
| | HP Primary SATA 320 GB 7200 rpm Hard Drive | AS282AA |
| Expansion Solutions | HP 90W Docking Station | VB041AA |
| | HP 120W Advanced Docking Station | NZ222AA |
| | HP USB 2.0 Docking Station | FQ834AA |
| | HP Essential USB 2.0 Port Replicator | AQ731AA |
| | HP Dual Hinge Notebook Stand | AW661AA |
| | HP Display & Notebook Stand | AW662AA |
| | HP Adjustable Display Stand | AW663AA |
| HP Adjustable Dual Display Stand | AW664AA | |
| Power | HP Smart 65W Travel AC Adapter | AU155AA |
| | HP 90W Smart AC Adapter | ED495AA |
| | HP 90W Smart Combo Adapter | AJ652AA |
| | HP Long Life 3-Cell Battery | AU213AA |
| | HP 6-Cell Li-Ion Primary Battery | KU531AA |
| | HP 9-Cell Li-Ion Primary Battery | AT908AA |
| | HP Extended Life Battery | AJ359AA |
| | HP Ultra-Capacity Battery | AT486AA |



Options (availability may vary by country)

| | | |
|----------------------------|--------------------------------------|---------|
| Carrying Cases | HP Basic Carrying Case | AJ078AA |
| | HP Value Nylon Case | RR314AA |
| | HP Universal Nylon Case | RR315AA |
| | HP Professional Slim Top Load Case | AY530AA |
| | HP Executive Leather Case | RR316AA |
| | HP Deluxe Nylon Backpack | RR317AA |
| | HP Deluxe Roller Case | GD405AA |
| | HP Basic Backpack | AM863AA |
| | HP Merlot Slipcase | AU095AA |
| | HP Basic Messenger Carrying Case | AP355AA |
| | HP Professional Series Carrying Case | AT886AA |
| | HP Professional Series Backpack | AT887AA |
| | HP Professional Series Messenger | AT888AA |
| | HP Professional Series Designer Tote | AT889AA |
| | HP Professional Series Slip Case | AT890AA |
| | HP Elite Series Designer Tote | AT891AA |
| HP Elite Series Quick Case | AT892AA | |

| | | |
|-----------------|-------------------------------------|---------|
| Security | HP Notebook Combination Lock | AY475AA |
| | HP Docking Station Cable Lock | AU656AA |
| | HP 14.0-inch Display Privacy Filter | AU100AA |
| | HP 15.6-inch Display Privacy Filter | AU103AA |
| | HP ExpressCard Smart Card Reader | AJ451AA |

| | | |
|-----------------------------|--|---------|
| Input/Output Devices | HP PS/2 Keyboard & Mouse Bundle | RC464AA |
| | HP USB Keyboard & Mouse Bundle | RC465AA |
| | HP USB Optical Travel Mouse | RH304AA |
| | HP USB/PS2 Optical 2-Button Scroll Mouse | DC369A |
| | HP Wireless Mouse | AR085AA |
| | HP BT Headset | AR084AA |
| | HP Mobile Audio Speakers | FS944AA |
| | HP Mobile Productivity Bundle | AQ792AA |
| | HP Bluetooth ExpressCard Mouse | GK872AA |
| | HP Notebook Companion Projector | AX325AA |
| | HP Migration Cable for Windows 7 | AY493AA |
| | HP Premium Autofocus Webcam | KQ245AA |
| | Premium Digital Headset | KJ270AA |



Options (availability may vary by country)

Miscellaneous

| | |
|-------------------------------------|---------|
| DisplayPort To DVI-D Adapter | FH973AA |
| Promo USB Graphics Adapter | NL571AT |
| External USB Modem | GS023AA |
| Belkin USB to Serial Adapter | EM449AA |
| Notebook Multi-Purpose Cleaning Kit | BL528AA |



Memory

DDR3 PC3-10600 SDRAM (1333 MHz)*
Two SODIMM slots supporting dual-channel memory
SODIMM sizes supported: 1024 MB, 2048 MB and 4096 MB

- Standard Memory**
- 1024 MB (1024 MB x 1)
 - 2048 MB (1024 MB x 2)
 - 2048 MB (2048 MB x 1)
 - 3072 MB (2048 MB + 1024 MB)
 - 4096 MB (2048 MB x 2)
 - 4096 MB (4096 MB x 1)

Optional Memory Upgrades Support for up to 8192 MB of memory with the installation of optional DDR3 SDRAM memory kits. Both memory slots are user-accessible. Please refer to the Hardware and Software Guide for installation procedures. Maximized dual-channel performance requires SODIMMs of the same size and speed in both memory slots.

| Up to | Slot 1 | Slot 2 |
|---------|---------|---------|
| 2048 MB | 1024 MB | 1024 MB |
| 3072 MB | 2048 MB | 1024 MB |
| 4096 MB | 2048 MB | 2048 MB |
| 4096 MB | 4096 MB | Empty |
| 8192 MB | 4096 MB | 4096 MB |

* Memory speed is processor dependent.

NOTE: This chart does not represent all possible memory configurations. Due to the non-industry standard nature of some third-party memory modules, we strongly recommend using only HP- branded memory modules to ensure compatibility. If you mix memory speeds, the system will perform at the lower memory speed. Full availability of 4 GB or more of memory requires a Windows 64-bit operating system or Linux. With Windows 32-bit operating systems, the amount of usable memory is dependent upon your configuration, so that above 3 GB all memory may not be available due to system resource requirements.

| | | |
|------------------------|--------------------------------|---------|
| Memory Upgrades | HP 1 GB (DDR3 1333 MHz) SODIMM | AT911AA |
| | HP 2 GB (DDR3 1333 MHz) SODIMM | AT912AA |
| | HP 4 GB (DDR3 1333 MHz) SODIMM | AT913AA |



Storage

Upgrade Bay Drive Support

| | Quantity Supported | Drive Bay |
|--|--------------------|-------------|
| DVD+/-RW SuperMulti DL LightScribe Drive | One | Upgrade Bay |
| DVD-ROM Drive | One | Upgrade Bay |
| Weight Saver | One | Upgrade Bay |

Internal Storage Device

| | Quantity Supported | Drive Bay |
|--|--------------------|--------------------------|
| Hard Drives | | |
| 320 GB 7200 rpm SMART SATA II Hard Drive | One | Dedicated hard drive bay |
| 320 GB 7200 rpm SMART SATA II Self Encrypting Hard Drive | One | Dedicated hard drive bay |
| 250 GB 7200 rpm SMART SATA II Hard Drive | One | Dedicated hard drive bay |
| 160 GB 7200 rpm SMART SATA II Hard Drive | One | Dedicated hard drive bay |
| Solid State Drive | | |
| 128 GB Solid State Drive | One | Dedicated hard drive bay |



Technical Specifications

| | | |
|--|--|--|
| System Unit | Dimensions (HxWxD) | HP ProBook 6455b: 1.33 in (at front) x 13.35 in x 9.3 in 33.8 mm (at front) x 339 mm x 236.2 mm |
| | | HP ProBook 6555b: 1.37 in (at front) x 14.62 in x 9.76 in 34.8 mm (at front) x 371.4 mm x 248.0 mm |
| | Weight | HP ProBook 6455b: Starting at 5.0 lb (2.26 kg) with weight saver (no optical drive) Starting at 5.31 lb (2.39 kg) with DVD-ROM drive |
| | | HP ProBook 6555b: Starting at 5.5 lb (2.51 kg) with weight saver (no optical drive) Starting at 5.81 lb (2.64 kg) with DVD-ROM drive |
| | NOTE: Height varies depending upon where on the notebook the measurement is made. Weight varies by configuration and components. Weight includes 6-cell battery and hard drive. | |
| Stand-Alone Power Requirements (AC Power) | Nominal Operating Voltage | 18.5 V |
| | Average Operating Power | 19.49 W |
| | Max Operating Power | < 90 W |
| Temperature | Operating | 32° to 95° F (0° to 35° C) (not writing optical) 41° to 95° F (5° to 35° C) (writing optical) |
| | Non-operating | -4° to 140° F (-20° to 60° C) |
| Relative Humidity | Operating | 10% to 90%, non-condensing |
| | Non-operating | 5% to 95%, 101.6° F (38.7° C) maximum wet bulb temperature |
| Shock | Operating | 125 G, 2 ms, half-sine |
| | Non-operating | 200 G, 2 ms, half-sine |
| Random Vibration | Operating | 0.75 grms |
| | Non-operating | 1.50 grms |
| Altitude (unpressurized) | Operating | -50 to 10,000 ft (-15.24 to 3,048 m) |
| | Non-operating | -50 to 40,000 ft (-15.24 to 12,192 m) |
| Industry Standard Certifications | UL | Yes |
| | CSA | Yes |
| | FCC Compliance | Yes |
| | ENERGY STAR® | Select models* |
| | EPEAT | Registered Gold in United States** |
| | ICES | Yes |
| | GS | Yes |
| | Australia / NZ A-Tick Compliance | Yes |
| | CCC | Yes |
| | Japan VCCI Compliance | Yes |
| | KCC | Yes |



Technical Specifications

| | |
|---------------------------------|-----|
| BSMI | Yes |
| CE Marking Compliance | Yes |
| BNCI or BELUS | Yes |
| CIT | Yes |
| GOST | Yes |
| Saudi Arabian Compliance (ICCP) | Yes |
| SABS | Yes |
| UKRSERTCOMPUTER | Yes |

* Configurations of the HP ProBook 6455b and HP ProBook 6555b that are ENERGY STAR qualified are identified as HP ProBook 6455b ENERGY STAR and HP ProBook 6555b ENERGY STAR on HP websites and on www.energystar.gov.

** EPEAT Registered Gold in U.S. EPEAT registration varies by country. See www.epeat.net for registration status by country.

NOTE: For accessibility information on HP products, please visit: <http://www.hp.com/accessibility>.

HP 90W Smart AC Adapter

| | |
|--------------------------------------|---|
| Dimensions | 5.00 x 1.97 x 1.1 in (12.7 x 5.0 x 2.9 cm) |
| Weight | 0.82 lb (370 g) |
| Input | 100 to 240 VAC |
| | Input Efficiency 83% min at 115 VAC |
| | Input frequency range 47 to 63 Hz |
| | Input AC current 1.5 A at 90 VAC, 0.75 A at 180 VAC PFC Version |
| | 2.4 A at 90 VAC, 1.2 A at 180 VAC NON PFC Version |
| Output | Output power 90W |
| | DC output 19.0V |
| | Hold-up time 5 msec at 115 VAC input |
| | Output current limit <11A, Over voltage protection- 29V max automatic shutdown |
| Connector | 3 pin/grounded, mates with interchangeable cords |
| Environmental Design | Operating temperature 32° to 104° F (0° to 40° C) |
| | Non-operating (storage) temperature -4° to 149° F (-20° to 65° C) |
| | Altitude 0 to 10,000 ft (0 to 3,048 m) |
| | Humidity 20% to 80% |
| | Storage Humidity 10% to 90% |
| EMI and Safety Certifications | CE Mark – full compliance with LVD and EMC directives; Worldwide safety standards – IEC60950, EN60950, UL60950, Class1, SELV; Agency approvals – C-UL-US, NORDICS, DENAN, EN55022 Class B, FCC Class B, CISPR22 Class B, CCC, NOM-1 NYCE; MTBF– over 200,000 hours at 25°C ambient condition. |



Technical Specifications

| | | | | |
|------------------------------------|--|--|--|--|
| Optional HP Ultra-Capacity Battery | Dimensions (H x W x L) | 1.3 x 6.0 x 10.6 in (3.33 x 15.25 x 26.88 cm) | | |
| | Weight | 1.77 lb (0.803 kg) | | |
| | Cells/Type | 12-cell Lithium-Ion | | |
| | Energy | Watt-hour Capacity | 95 WHr | |
| | Temperature | Operating (Charging) | 32° to 113° F (0° to 45° C) | |
| | | Operating (Discharging) | 14° to 140° F (-10° to 60° C) | |
| | | Non-operating | -4° to 140° F (-20° to 60° C) | |
| | Battery Re-Charge Time | Smart Adapter | 3 to 4 hours | |
| | | System ON | 4 to 5 hours (depending on system power consumption) | |
| | Fuel Gauge | When pressed, LEDs light indicating level of charge remaining on battery | | |
| <hr/> | | | | |
| Optional HP Extended Life Battery | Dimensions (H x W x L) | 1.0 x 3.9 x 8.7 in (2.5 x 10.0 x 22.0 cm) | | |
| | Weight | 1.00 lb (0.455 kg) | | |
| | Cells/Type | 8-cell Lithium-Ion | | |
| | Energy | Watt-hour Capacity | 52 WHr | |
| | Temperature | Operating (Charging) | 32° to 113° F (0° to 45° C) | |
| | | Operating (Discharging) | 14° to 140° F (-10° to 60° C) | |
| | | Non-operating | -4° to 140° F (-20° to 60° C) | |
| | Battery Re-Charge Time | System in OFF mode or Standby | 3 hours | |
| | | System ON | 3 to 5 hours (depending on system power consumption) | |
| | | HP Fast Charge Technology | Charges the battery up to 90% within 90 minutes when system is OFF | |
| Fuel Gauge | When pressed, LEDs light indicating level of charge remaining on battery | | | |



Technical Specifications

| | | | | |
|---|------------------------|--|--|--|
| Optional HP Long Life 3-cell 47 WHr Lithium-Ion Battery | Dimensions (H x W x L) | 0.8 x 2.1 x 8.0 in (2.0 x 5.3 x 20.4 cm) | | |
| | Weight | 0.71 lb (0.32 kg) | | |
| | Cells/Type | 3-cell Lithium-Ion | | |
| | Energy | Watt-hour Capacity | 47 WHr | |
| | Temperature | Operating (Charging) | 32° to 113° F (0° to 45° C) | |
| | | Operating (Discharging) | 14° to 140° F (-10° to 60° C) | |
| | | Non-operating | -4° to 140° F (-20° to 60° C) | |
| | Battery Re-Charge Time | System in OFF mode or Standby | 2.5 hours | |
| | | System ON | 3 to 5 hours (depending on system power consumption) | |
| | | HP Fast Charge Technology | Charges the battery up to 90% within 90 minutes when system is OFF | |

| | | | | |
|-------------------------------------|------------------------|--|--|--|
| 9-Cell (93 WHr) Lithium-Ion battery | Dimensions (H x W x L) | 0.8 x 2.9 x 8.3 in (2.0 x 7.3 x 21.0 cm) | | |
| | Weight | 1.07 lb (0.488 kg) | | |
| | Cells/Type | 9-cell Lithium-Ion | | |
| | Energy | Watt-hour Capacity | 93 WHr | |
| | Temperature | Operating (Charging) | 32° to 113° F (0° to 45° C) | |
| | | Operating (Discharging) | 14° to 140° F (-10° to 60° C) | |
| | | Non-operating | -4° to 140° F (-20° to 60° C) | |
| | Battery Re-Charge Time | System in OFF mode or Standby | 3 to 4 hours | |
| | | System ON | 4 to 6 hours (depending on system power consumption) | |

| | | | | |
|-------------------------------------|------------------------|--|--|--|
| 6-Cell (55 WHr) Lithium-Ion battery | Dimensions (H x W x L) | 0.8 x 2.1 x 8.0 in (2.0 x 5.3 x 20.4 cm) | | |
| | Weight | 0.71 lb (0.32 kg) | | |
| | Cells/Type | 6-cell Lithium-Ion | | |
| | Energy | Watt-hour Capacity | 55 WHr | |
| | Temperature | Operating (Charging) | 32° to 113° F (0° to 45° C) | |
| | | Operating (Discharging) | 14° to 140° F (-10° to 60° C) | |
| | | Non-operating | -4° to 140° F (-20° to 60° C) | |
| | Battery Re-Charge Time | System in OFF mode or Standby | 2.5 hours | |
| | | System ON | 3 to 5 hours (depending on system power consumption) | |
| | | HP Fast Charge Technology | Charges the battery up to 90% within 90 minutes when system is OFF | |



Technical Specifications

| | | | | |
|--|------------------------|--|--|--|
| HP Long Life 6-cell 51 WHr Lithium-Ion Primary battery | Dimensions (H x W x L) | 0.8 x 2.1 x 8.0 in (2.0 x 5.3 x 20.3 cm) | | |
| | Weight | 0.73 lb (0.331 kg) | | |
| | Cells/Type | 6-cell Lithium-Ion | | |
| | Energy | Watt-hour Capacity | 51 WHr | |
| | Temperature | Operating (Charging) | 32° to 113° F (0° to 45° C) | |
| | | Operating (Discharging) | 14° to 140° F (-10° to 60° C) | |
| | | Non-operating | -4° to 140° F (-20° to 60° C) | |
| | Battery Re-Charge Time | System in OFF mode or Standby | 2.5 hours | |
| | | System ON | 3 to 5 hours (depending on system power consumption) | |

Displays

| | | | | |
|--|---------------------|--|------------|--|
| 14.0-inch LED HD (1366 x 768) anti-glare | Active Area (W x H) | 12.74 x 7.56 in (32.4 x 19.2 cm) | | |
| | Diagonal Size | 14.0 in (35.6cm) | | |
| | Surface Treatment | Anti-glare | | |
| | Contrast Ratio | 300:1 (typical) | | |
| | Refresh Rate | 60 Hz | | |
| | Brightness | 200 nit (typical) | | |
| | Pixel Resolution | Pitch | 0.227 mm | |
| | | Format | 1366 x 768 | |
| | | Configuration | RGB Stripe | |
| | Backlight | LED | | |
| | PPI | 112 ppi | | |
| | Viewing Angle | ±30° Horizontal, ±10° Vertical (minimum) | | |
| | | 30/30/20/10 (Left/Right/Down/Up) (minimum) or 45/45/35/25 (Left/Right/Down/Up) (typical) | | |



Technical Specifications

| | | | |
|---|---------------------|---|------------|
| 15.6-inch LED HD (1366 x 768) anti-glare | Active Area (W x H) | 13.54 x 7.59 in (34.4 x 19.4 cm) | |
| | Diagonal Size | 15.6 in (39.6cm) | |
| | Surface Treatment | Anti-glare | |
| | Contrast Ratio | 300:1 (typical) | |
| | Refresh Rate | 60 Hz | |
| | Brightness | 200 nit (typical) | |
| | Pixel Resolution | Pitch | 0.252 mm |
| | | Format | 1366 x 768 |
| | | Configuration | RGB Stripe |
| | Backlight | LED | |
| | PPI | 100 ppi | |
| | Viewing Angle | ±30° Horizontal, ±10° Vertical (minimum) 30/30/20/10 (Left/Right/Down/Up) (minimum) or 45/45/35/25 (Left/Right/Down/Up) (typical) | |

| | | | |
|---|---------------------|--|------------|
| 15.6-inch LED HD+ WVA (1600 x 900) anti-glare | Active Area (W x H) | 13.54 x 7.59 in (34.4 x 19.4 cm) | |
| | Diagonal Size | 15.6 in (39.6 cm) | |
| | Surface Treatment | Anti-glare | |
| | Contrast Ratio | 300:1 (typical) | |
| | Refresh Rate | 60 Hz | |
| | Brightness | 200 nit (typical) | |
| | Pixel Resolution | Pitch | 0.215 mm |
| | | Format | 1600 x 900 |
| | | Configuration | RGB Stripe |
| | Backlight | LED | |
| | PPI | 118 ppi | |
| | Viewing Angle | ±60° Horizontal, ± 50° Vertical (minimum) or ±70° Horizontal, ±60° Vertical (typical) | |

Internal Storage



Technical Specifications

| | | | |
|------------------------------------|---|--|--------|
| 320 GB 7200 rpm SATA Hard Drive | Drive Weight | 0.25 lbs (115 g) | |
| | Capacity | 320 GB | |
| | Height | 0.37 in (9.5 mm) or on some models 0.28 in (7 mm) | |
| | Width | 2.75 in (70 mm) | |
| | Interface | ATA-8, SATA 2.6, 3.0 Gb/s, NCQ | |
| | Transfer Rate | Synchronous (maximum) 100 MB/s (Drive Capability) | |
| | Seek Time (typical reads, including settling) | Single Track | 1.5 ms |
| | | Average | 11 ms |
| | | Maximum | 22 ms |
| | Rotational Speed | 7200 rpm | |
| | Logical Blocks | 625,142,448 | |
| | Operating Temperature | 32° to 140° F (0° to 60° C) [case temp] | |
| | Features | ATA Security | |

| | | | |
|------------------------------------|---|--|--------|
| 250 GB 7200 rpm SATA Hard Drive | Drive Weight | 0.25 lbs (115g) | |
| | Capacity | 250 GB | |
| | Height | 0.37 in (9.5 mm) or on some models 0.28 in (7 mm) | |
| | Width | 2.75 in (70 mm) | |
| | Interface | ATA-8, SATA 2.6, 3.0 Gb/s, NCQ | |
| | Transfer Rate | Synchronous (maximum) 100 MB/s (Drive Capability) | |
| | Seek Time (typical reads, including settling) | Single Track | 1.5 ms |
| | | Average | 11 ms |
| | | Maximum | 22 ms |
| | Rotational Speed | 7200 rpm | |
| | Logical Blocks | 488,397,168 | |
| | Operating Temperature | 32° to 140° F (0° to 60° C) [case temp] | |
| | Features | ATA Security | |



Technical Specifications

| | | | |
|---------------------------------|--|---|-----------------------------|
| 160 GB 7200 rpm SATA Hard Drive | Drive Weight | 0.25 lb (115 g) | |
| | Capacity | 160 GB | |
| | Height | 0.37 in (9.5 mm) | |
| | Width | 2.75 in (70 mm) | |
| | Interface | ATA-8, SATA 2.6, 3.0 Gb/s, NCQ | |
| | Transfer Rate | Synchronous (maximum) | 100 MB/s (Drive Capability) |
| | Seek Time (typical reads, including settling) | Single Track | 1.5 ms |
| | | Average | 11 ms |
| | | Maximum | 22 ms |
| | Rotational Speed | 7200 rpm | |
| | Logical Blocks | 312,581,808 | |
| | Operating Temperature | 32° to 140° F (0° to 60° C) [case temp] | |
| Features | ATA Security | | |

| | | | | |
|--|---------------------------------------|--------------------------------|----------|---------------------------------|
| 128 GB 2.5-inch SATA Solid State Drive | Weight | 80.1 Grams | | |
| | Capacity | 128 GB | | |
| | Height | 0.37 in (9.5 mm) | | |
| | Width | 2.75 in (70 mm) | | |
| | Interface | SATA | | |
| | Performance | Maximum Sequential Read | 220 MB/s | Maximum Sequential Write |
| | | | | 200 MB/s |
| | Logical Blocks | 250,069,680 | | |
| Operating Temperature | 32° to 158°F (0° to 70°C) [case temp] | | | |
| Features | ATA Security; ATA-7 ;SATA 2.6; DIPM | | | |

| | | | | |
|---------------|---------------------------|--|------------------------|--|
| DVD-ROM Drive | Access Times | Random | < 110 ms CD (typical) | |
| | | | < 110 ms DVD (typical) | |
| | Max Data Transfer Rate | 24X CD-ROM | Up to 3,600 KB/s | |
| | | 8X-DVD | Up to 10,800 KB/s | |
| | Transfer Mode | UDMA Mode 5 | | |
| | Interface | Gen 1 SATA | | |
| | Supported Media (read) | CD-DA, CD+(E)G, CD-MIDI, CD-TEXT, CD-ROM, CD-ROM XA, MIXED MODE CD, CD-I, CD-I Bridge (Photo-CD, Video CD), Multisession CD (Photo-CD, CD-EXTRA, Portfolio, CD-R, CD-RW), CD-R, CD-RW, DVD-ROM (DVD-5, DVD-9, DVD-10, DVD-18), DVD-R, DVD-RW, DVD+R, DVD+RW, DVD-RAM | | |
| | Supported Media (write) | None | | |
| | Max Media Capacity (read) | 8.5 GB | | |
| | Transport | Tray Loading | | |



Technical Specifications

| | | | |
|--|--|-----------------------|--|
| DVD+/-RW SuperMulti DL LightScribe Drive | Access Times | Random | < 150ms CD (typical) < 160 ms DVD (typical) |
| | Max Data Transfer Rate | 24X CD-ROM | Up to 3,600 KB/s |
| | | 8X DVD | Up to 10,800 KB/s |
| | | 24X CD-R | Up to 3,600 KB/s |
| | | 16X CD-RW | Up to 2,400 KB/s |
| | | 8X DVD+R | Up to 10,800 KB/s |
| | | 8X DVD+RW | Up to 10,800 KB/s |
| | | 8X DVD-R | Up to 10,800 KB/s |
| | | 6X DVD-RW | Up to 8100KB/s |
| | | 4X - DVD+R Dual Layer | Up to 5,400 KB/s |
| | | 4X - DVD-R Dual Layer | Up to 5,400 KB/s |
| | 5X DVD-RAM | Up to 6,750 KB/s | |
| | Transfer Mode | UDMA Mode 5 | |
| | Interface | Gen 1 SATA | |
| Supported Media (read) | CD-DA, CD+(E)G, CD-MIDI, CD-TEXT, CD-ROM, CD-ROM XA, MIXED MODE CD, CD-I, CD-I Bridge (Photo-CD, Video CD), Multisession CD (Photo-CD, CD-EXTRA, Portfolio, CD-R, CD-RW), CD-R, CD-RW, DVD-ROM (DVD-5, DVD-9, DVD-10, DVD-18), DVD-R, DVD-RW, DVD+R, DVD+RW, DVD-RAM | | |
| Supported Media (write) | CD-R, CD-RW, DVD+R, DVD+RW, DVD-R, DVD-RW, DVD-RAM, LightScribe | | |
| Max Media Capacity (read) | 8.5 GB | | |
| Max Media Capacity (write) | 8.5 GB | | |
| Transport | Tray Loading | | |

Audio

| | | |
|----------|--|---|
| Hardware | Implementation | IDT 92HD75B High Definition CODEC |
| | Touch-Sensitive Volume Controls | Volume up, volume down, and mute |
| | Full Duplex | Yes |
| | Microphone In | Stereo |
| | Headphone/Line Out | Stereo |
| | Integrated Microphone | Yes, one microphone on configurations without optional webcam; dual-microphone array when equipped with optional webcam |



Technical Specifications

| | | |
|----------------------|------------------------------|------------------|
| Audio Output Quality | Frequency Response | 20 Hz – 20 kHz |
| | Signal to Noise Ratio | >85 dB |
| | Total Harmonic Distortion | 0.01% |
| | Noise Floor | -110 dB |
| | Play/Record Sampling Rate(s) | 8 kHz – 48kHz |
| | DAC | 16, 20 or 24-bit |
| | ADC | 16 or 20-bit |

| | | |
|----------------------------|--------------|---------|
| Integrated Stereo Speakers | Power Rating | 2 Watts |
| | Impedance | 4 Ohms |

Security

| | | |
|----------------------------------|----------------------------|--|
| HP Fingerprint Sensor (optional) | Mobile Voltage Operation | 3.0V-3.6V Single Supply |
| | Operating Temperature | 32° - 158°F (0° - 70°C) |
| | Current Consumption @ 3.3V | Less than 70 mA peak imaging and scrolling Less than 25 mA hardware finger detection Advanced Power Management |
| | High-Rate Image Capture | Up to 240 image frames /sec |
| | ESD Resistance | IEC 61000-4-2 Level 4 (±15KV) |
| | Detection Matrix | 192 x 16 Pixels |
| | | 9.7 mm x 0.81 mm 500 ppi High-Resolution Images |

Communications



Technical Specifications

| | | |
|---|-------------------------------|--|
| Integrated Marvell 10/100/1000 NIC | Ethernet Features | 10 Mbit/s operation (10BASE-T; IEEE 802.3i; IEEE 802.3 clauses 13-14) 100 Mbit/s operation (100BASE-TX; IEEE 802.3u; IEEE 802.3 clauses 21-30) 1000 Mbit/s operation (1000BASE-T; IEEE 802.3z and 802.3ab; IEEE 802.3 clauses 34-42) Auto-Negotiation (Automatic Speed Selection) Full Duplex Operation at all Speeds, Half Duplex operation at 10 and 100 Mbit/s IEEE 802.1p QoS (Quality of Service) Support IEEE 802.3x Flow Control (IEEE 802.3 clauses 31-32; configurable) |
| | Power Management | ACPI compliant – multiple power modes Situation-sensitive features reduce power consumption |
| | Performance Features | TCP/IP/UDP Checksum Offload (configurable) |
| | Manageability | Wake-on-LAN from standby and hibernation (Magic Packet and Microsoft Wake-Up Frame); Wake-on-LAN from off (Magic Packet only) PXE 2.1 Remote Boot Statistics Gathering (SNMP MIB II, Ethernet-like MIB, Ethernet MIB (802.3x, clause 30)) Comprehensive diagnostic and configuration software suite |
| | Interface | PCI Express x1 |
| | NIC Device Driver Name | Marvell Yukon 88E8072 PCI-E Gigabit Ethernet Controller |

| | | |
|--------------------------------|---------------------------------|--|
| V.92 56K Data/Fax Modem | Form Factor | MDC 1.5 Daughtercard |
| | Power Management Support | APM Revision 1.2, ACPI |
| | Approvals/Certifications | UL, CSA, NEMKO, CCIB, Industry Canada, FCC Part 68, CTR21, FCC Part 15 Class B, Canadian ICES-003 Class B, C.I.S.P.R.22, Australian ACA, CE Mark, Other Countries |
| | Data Mode Capabilities | V.92 data V.8bis V.80 V44, V.42bis, MNP5 (Compression) V.42 (LAPM, MNP2-4) (Error Correction) Optional symbol rates: 2800, 3429 Asymmetric Symbol rates Synchronous primary channel data signaling rates: 3600, 31200 Automatic rate re-negotiation V.34 V.32bis V.32 V.23 V.22bis V.22 V.21 Bell 212A |



Technical Specifications

| | |
|------------------------------|--|
| | Bell 103J |
| Fax Mode Capabilities | TIA/EIA-578-B (Class 1) T.30, T.4 (Group 3) V.17 V.29 V.27ter V.21 Channel 2 |
| Command Set | V.250 (Partial) TIA-602 Identification: +GMI, +GMM, +GMR Port control: +IPR, +ICF, +IFC, +ILRR Modulation: +MS, +MR, +MA Error control: +ES, +ER, +EB, +ESR, +ETBM Data compression: +DS, +DR V.251 |

| | | |
|---|--|--|
| HP un2420 EV-DO/HSPA Mobile Broadband Module | Technology/Operating Bands | GSM/GPRS/EDGE: 850MHz(Cell), 900MHz(EGSM), 1800MHz(DCS), 1900MHz (PCS) UMTS/WCDMA with receive diversity: 2100MHz (UTRA FDD Band I), 1900MHz (UTRA FDD Band II), 900MHz (UTRA FDD Band VIII), 850MHz (UTRA FDD Band V) 1xEVDO/1xRTT with receive diversity: 850MHz (Band Class0-Cell), 1900MHz (Band Class1-PCS) |
| | Wireless Protocol Standards | GSM/GPRS/EDGE: Class B, Multi-slot operation, coding schemes CS1 – CS4 and MSC1 – MSC9. UMTS/WCDMA: Release 99 and Release 6 CDMA: 1xEVDO Release 0 and Release A, IS-95A, IS-95B, IS-2000 |
| | Wireless Parametric Standards | Meets or exceeds TIA/EIA IS-98-D |
| | Maximum Data Rates | UMTS (HSPA) – 7.2 Mbps (Download), 2.0 Mbps (Upload) CDMA (EVDO Release A) – 3.1 Mbps (Download), 1.8 Mbps (Upload) |
| | GPS | Standalone GPS enabled |
| | GPS Bands | L1 – 1575.42 MHz |
| | Maximum Output Power | GSM/GPRS/EDGE: 32dBm (+/-1) WCDMA: 24dBm (+/-1) CDMA: 24dBm (+/-1) |
| | Maximum Power Consumption | 2500mA (peak); 1000mA (average) |
| | Power Consumption, Sleep Mode | 5 mA |
| | Power Management | USB selective suspend Integrated notebook wireless button |
| | Antenna Type | Dual high efficiency 5 band antennae with spatial diversity, mounted in the display enclosure |
| | Form Factor | PCI-Express MiniCard, USB 2.0 interface |
| | Weight | 11.5 g |



Technical Specifications

| | |
|---|---|
| Dimensions (Length x Width x Thickness) | 2.01 x 1.18 x 0.18 in (51 x 30 x 5 mm) |
| Voltage, Operating | 3.3v +/- 10% |
| Temperature, Operating (from TIA/EIA/IS-98-D) | -22° to 140° F (-30° to 60° C) (full RF performance) -22° to 167° F (-30° to 75° C) (reduced RF performance) |
| Temperature, Non-operating, 96 hours (from MIL-STD 202 Method 108) | -40° to 185° F (-40° to 85° C) |
| Humidity, Non-operating | 85% relative humidity for 48 hours @ 185° F (85° C) (non-condensing) |
| Configuration Utilities | HP Connection Manager |
| LED Activity | LED Off – Radio Off; Solid LED On – Radio On |

| | | |
|--|--|---|
| Broadcom 4322AGN 802.11a/b/g/n WiFi Adapter | Wireless LAN Standards | IEEE 802.11a IEEE 802.11b IEEE 802.11g IEEE 802.11n |
| | Interoperability | Wi-Fi certified (802.11abg only) Cisco Compatible Extensions Program compliant (802.11abg only) with Microsoft Windows Vista and XP |
| | Frequency Band | 2.4 GHz and 5 GHz |
| | Data Rates | 802.11b: 1, 2, 5.5, 11 Mbps 802.11a/g: 6, 9, 12, 18, 24, 36, 48, 54 Mbps 802.11n: 6, 6.5, 9, 12, 13, 13.5, 18, 19.5, 24, 26, 27, 36, 39, 40.5, 48, 52, 54, 58.5, 65, 78, 81, 104, 108, 117, 121.5, 130, 135, 162, 216, 243, 270, 300 Mbps |
| | Frequency Support | 20 MHz: 2.4 GHz and 5 GHz bands 40 MHz: 2.4 GHz and 5 GHz bands |
| | Modulation | Direct Sequence Spread Spectrum DBPSK, DQPSK, CCK, OFDM, BPSK, QPSK, 16-QAM, 64-QAM |
| | Security¹ | Supports 64- and 128-bit WEP, WPA, WPA2, hardware-accelerated AES, 802.1x authentication types EAP-TLS, EAP-TTLS, PEAP-GTC, PEAP-MSCHAPv2, LEAP, EAP-FAST. Support for Cisco Security Features (proven compatibility with Cisco Aironet infrastructure products through the Cisco Compatible Extensions Program Version 4) with Microsoft Windows Vista and XP only. |
| | Sub-channels | Multinational support with frequency bands and channels compliant to local regulations. |
| | Media Access Protocol | CSMA/CA (Collision Avoidance) with ACK |
| | Network Architecture Models | Ad-hoc (Peer to Peer) Infrastructure (Access Point Required) |
| | Roaming | IEEE 802.11 compliant roaming between access points |
| | Output Power (for CCK) ² | 17 dBm |



Technical Specifications

| | |
|---|---|
| Output Power (for OFDM; 15 dBm power varies by data rate) ² | |
| Power Consumption | Idle associated: 250 mW Idle unassociated: 150 mW Transmit/Receive 20 MHz channel: 2.0 W (max) Transmit/Receive 40 MHz channel: 2.0 W (max) |
| Power Management | ACPI compliant power management 802.11 compliant power saving mode |
| Receiver Sensitivity ³ | 270 Mbps: -61dBm, , 54 Mbps: -72 dBm, 11 Mbps: -85 dBm , 1 Mbps: -92 dBm |
| Antenna type | High efficiency dual band antenna with spatial diversity, mounted in the display enclosure |
| Form Factor | PCI-Express Half-MiniCard |
| Weight | 0.013 lb (6 g) |
| Dimensions | 0.19 x 1.06 x 1.18 in (4.75 x 26.8 x 30 mm) |
| Operating Voltage | 3.3v +/- 10% |
| Temperature | Operating 14° to 149° F (-10° to 65° C) Non-operating -40° to 176° F (-40° to 80° C) |
| Humidity | Operating 10% to 90% (non-condensing) Non-operating 5% to 95% (non-condensing) |
| Altitude | Operating 0 to 10,000 ft (3,048 m) Non-operating 0 to 50,000 ft (15,240 m) |
| Configuration Utility ⁴ | Microsoft Windows XP Choice of Configuration Utility: <ul style="list-style-type: none">● Microsoft Windows XP Wireless Network Connection Manager● Broadcom Wireless Configuration Utility (required for Cisco Compatible Extensions support) Microsoft Windows Vista <ul style="list-style-type: none">● Microsoft Windows Vista Wireless Network Connection Manager● Broadcom IHV extensions for Windows Vista available to support Cisco Compatible Extensions. |
| LED Activity | LED Off – Radio OFF; Solid LED On – Radio ON <ol style="list-style-type: none">1. Check latest software/driver release for updates on supported security features.2. Maximum output power may vary by country according to local regulations.3. Receiver sensitivity is measured at a packet error rate of 8% for 802.11b (CCK modulation) and a packet error rate of 10% for 802.11a/g (OFDM modulation).4. WLAN supplier's client utility is required for Cisco Compatible Extensions support with Microsoft Windows XP. WLAN may also be compatible with certain third-party software supplicants. WLAN supplier IHV extensions required for Cisco Compatible Extensions support for Microsoft Windows Vista. |

Broadcom 4313GN
802.11b/g/n

Wireless LAN Standards IEEE 802.11b
IEEE 802.11g



Technical Specifications

WiFi Adapter

| | |
|---|---|
| Interoperability | IEEE 802.11n Wi-Fi certified Cisco Compatible Extensions Program compliant with Microsoft Win7, Vista and XP (details at: http://www.hp.com/go/notebooks/WLAN) |
| Frequency Band | 2.4 GHz |
| Data Rates | 802.11b: 1, 2, 5.5, 11 Mbps 802.11g: 6, 9, 12, 18, 24, 36, 48, 54 Mbps 802.11n: 6.5, 7.2, 13, 14.4, 19.5, 21.7, 26, 28.9, 39, 43.3, 52, 57.8, 58.5, 65, 72.2Mbps |
| Frequency Support | 20 MHz: 2.4 GHz bands |
| Modulation | Direct Sequence Spread Spectrum DBPSK, DQPSK, CCK, OFDM, BPSK, QPSK, 16-QAM, 64-QAM |
| Security¹ | Supports 64- and 128-bit WEP, WPA, WPA2, hardware-accelerated AES, 802.1x authentication types EAP-TLS, EAP-TTLS, PEAP-GTC, PEAP-MSCHAPv2, LEAP, EAP-FAST. Support for Cisco Security Features (proven compatibility with Cisco Aironet infrastructure products through the Cisco Compatible Extensions Program Version 4) with Microsoft Windows Vista and XP only. |
| Sub-channels | Multinational support with frequency bands and channels compliant to local regulations. |
| Media Access Protocol | CSMA/CA (Collision Avoidance) with ACK |
| Network Architecture Models | Ad-hoc (Peer to Peer) Infrastructure (Access Point Required) |
| Roaming | IEEE 802.11 compliant roaming between access points |
| Output Power (for CCK)² | 17 dBm , nominal |
| Output Power (for OFDM; power varies by data rate)² | 15 dBm , nominal |
| Power Consumption | Idle associated: 250 mW avg (CLKREQ enabled) Idle unassociated: 425 mW avg Transmit/Receive 20 MHz channel: 5.5 W (max) |
| Power Management | ACPI compliant power management 802.11 compliant power saving mode |
| Receiver Sensitivity³ | 72.2 Mbps: -71 dBm |
| Antenna type | High efficiency dual band antenna with spatial diversity, usually mounted in the display enclosure |
| Form Factor | PCI-Express Half-MiniCard |
| Weight | 0.013 lb (6 g) |
| Dimensions | 0.19 x 1.06 x 1.18 in (4.75 x 26.8 x 30 mm) |
| Operating Voltage | 3.3v +/- 10% |
| Temperature | Operating 14° to 149° F (-10° to 65° C) Non-operating -40° to 176° F (-40° to 80° C) |
| Humidity | Operating 10% to 90% (non-condensing) Non-operating 5% to 95% (non-condensing) |



Technical Specifications

| | | |
|---------------------|---|---------------------------|
| Altitude | Operating | 0 to 10,000 ft (3,048 m) |
| | Non-operating | 0 to 50,000 ft (15,240 m) |
| LED Activity | LED Off - Radio OFF; Solid LED On - Radio ON | |
| | <ol style="list-style-type: none">1. Check latest software/driver release for updates on supported security features.2. Maximum output power may vary by country according to local regulations.3. Receiver sensitivity is measured at a packet error rate of 8% for 802.11b (CCK modulation) and a packet error rate of 10% for 802.11a/g (OFDM modulation).4. WLAN supplier's client utility is required for Cisco Compatible Extensions support with Microsoft Windows XP. WLAN may also be compatible with certain third-party software supplicants. WLAN supplier IHV extensions required for Cisco Compatible Extensions support for Microsoft Windows Vista and Win7. | |

| | | |
|--|-------------------------------------|---|
| HP Integrated Module with Bluetooth 2.1+EDR Wireless Technology | Bluetooth Specification | 2.1+EDR Compliant |
| | Dimensions | 1.18 x 0.26 x 0.13 in (30 x 6.5 x 3.25 mm) |
| | Frequency Band | 2402 to 2480 MHz |
| | Number of Available Channels | 79 (1 MHz) available channels |
| | Data Rates and Throughput | 3 Mbps data rate; throughput up to 2.17 Mbps Synchronous Connection Oriented links up to 3, 64 kbps, voice channels Asynchronous Connection Less links 2178.1 kbps/177.1 kbps asymmetric or 1306.9 kbps symmetric |
| | Transmit Power | -6 dBm to 4 dBm (Bluetooth Class II) |
| | Receiver Sensitivity | Better than -80 dBm at 0.1 % raw bit error rate |
| | Power Consumption | Peak (Tx) 264 mW Peak (Rx) 231 mW Sleep <1 mW |
| | Antenna | Internally integrated within module |
| | Range | Up 33 ft (10 m) |
| | Electrical Interface | USB 2.0 compliant Microsoft Windows Plug and Play compliant |
| | Bluetooth Software Supported | Broadcom Bluetooth for Windows Microsoft Windows Bluetooth Software |
| | Link Topology | Point to Point, Multipoint Pico Nets up to 7 slaves |
| | Security | Full support of Bluetooth Security Provisions |
| | Power Management | Microsoft Windows ACPI, and USB Bus Support Self configurable to optimize power conservation in all operating modes, including Standby, Hold, Park, and Sniff |
| | Certifications | All necessary regulatory approvals for supported countries, including: FCC (47 CFR) Part 15C, Section 15.247 & 15.249 ETS 300 328, ETS 300 826 Low Voltage Directive IEC950 UL, CSA, and CE Mark |



Technical Specifications

| | | |
|--|---|--------------------------------|
| Temperature | Operating | -4° to 158° F (-20° to 70° C) |
| | Non-operating | -40° to 176° F (-40° to 80° C) |
| Humidity | Operating | 10% to 90% |
| | Non-operating | 5% to 95% |
| Altitude | Operating | 15,000 ft (4,572 m) |
| | Non-operating | 40,000 ft (12,192 m) |
| Bluetooth Profiles Supported | Serial Port Profile (SPP) ¹ | |
| | Service Discovery Application Profile (SDAP) | |
| | Dial-Up Networking (DUN) ^{1,2} | |
| | Generic Object Exchange Profile (GOEP) ^{1,2} | |
| | Object Push Profile (OPP) ^{1,2} | |
| | File Transfer Profile (FTP) | |
| | Synchronization Profile (SYNC) | |
| | Hard Copy Cable Replacement (HCRP) ^{1,2} | |
| | Personal Area Networking Profile (PAN) ^{1,2} | |
| | Human Interface Device Profile (HID) ^{1,2,3} | |
| | FAX Profile (FAX) | |
| | Basic Imaging Profile (BIP) ² | |
| | Headset Profile (HSP) | |
| Hands Free Profile (HFP) | | |
| Advanced Audio Distribution Profile (A2DP) | | |

¹ indicates the profile is supported by Microsoft Windows XP SP2

² indicates the profile is part of Windows Vista

Environmental Data

Eco-Label Certifications

This product has received or is in the process of being certified to the following approvals and may be labeled with one or more of these marks:

- US Energy Star
- IT ECO declaration
- EPEAT – Gold where HP registers commercial notebook products. See <http://www.epeat.net> for registration status in your country.

System Configuration

The configuration used for the Energy Consumption and Declared Noise Emissions data for the Convertible Mini tower Desktop model is based on a "Typically Configured Notebook"

HP ProBook 6455b Notebook PC

| | | | |
|------------------------------------|-----------|-----------|-----------|
| Energy Consumption | 115 VAC | 230 VAC | 100 VAC |
| Normal Operation | 10.93W | 11.11W | 10.68W |
| Sleep (Energy Star low power mode) | 0.71W | 0.77W | 0.68W |
| Off | 0.57W | 0.63W | 0.56W |
| Heat Dissipation* | 115 VAC | 230 VAC | 100 VAC |
| Normal Operation | 37 BTU/hr | 38 BTU/hr | 37 BTU/hr |



Technical Specifications

| | | | |
|-------|----------|----------|----------|
| Sleep | 2 BTU/hr | 3 BTU/hr | 2 BTU/hr |
| Off | 1 BTU/hr | 2 BTU/hr | 1 BTU/hr |

* Heat dissipation is calculated based on the measured watts, assuming the service level is attained for one hour.

Declared Noise Emissions (in accordance with ISO 7779 and ISO 9296)

| System Fan Off | Sound Power (LWAd, bels) | Sound Pressure (LpAm, decibels) |
|-------------------------------|-----------------------------|------------------------------------|
| Idle | 2.6 | 17.3 |
| Fixed Disk (random writes) | 2.7 | 17.6 |

System fan is usually off except when charging the battery

HP ProBook 6555b Notebook PC

| | | | |
|---------------------------------------|---------|---------|---------|
| Energy Consumption | 115 VAC | 230 VAC | 100 VAC |
| Normal Operation | 10.93W | 11.11W | 10.68W |
| Sleep (Energy Star low power mode) | 0.71W | 0.77W | 0.68W |
| Off | 0.57W | 0.63W | 0.56W |

| | | | |
|--------------------------|-----------|-----------|-----------|
| Heat Dissipation* | 115 VAC | 230 VAC | 100 VAC |
| Normal Operation | 37 BTU/hr | 38 BTU/hr | 37 BTU/hr |
| Sleep | 2 BTU/hr | 3 BTU/hr | 2 BTU/hr |
| Off | 2 BTU/hr | 2 BTU/hr | 2 BTU/hr |

* Heat dissipation is calculated based on the measured watts, assuming the service level is attained for one hour.

Declared Noise Emissions (in accordance with ISO 7779 and ISO 9296)

| System Fan Off | Sound Power (LWAd, bels) | Sound Pressure (LpAm, decibels) |
|-------------------------------|-----------------------------|------------------------------------|
| Idle | 3.0 | 22.5 |
| Fixed Disk (random writes) | 3.0 | 22.6 |

System fan is usually off except when charging the battery

HP ProBook 6455b Notebook PC and HP 6555b Notebook PC

Batteries This battery(s) in this product comply with EU Directive 2006/66/EC

Batteries used in the product do not contain:

- Mercury greater the 5ppm by weight
- Cadmium greater than 10ppm by weight



Technical Specifications

Additional information

The battery type and chemistry used in the product is:

Li-ion

High capacity Lithium-Ion battery

This product is in compliance with the Restrictions of Hazardous Substances (RoHS) directive – 2002/95/EC.

This HP product is designed to comply with the Waste Electrical and Electronic Equipment (WEEE) Directive - 2002/96/EC.

This product is in compliance with California Proposition 65 (State of California; Safe Drinking Water and Toxic Enforcement Act of 1986).

This product is in compliance with the IEEE 1680 (EPEAT) standard at the Gold level, see www.epeat.net

Plastics parts weighing over 25 grams used in the product are marked per ISO 11469 and ISO1043.

This product contains 0% post consumer recycled plastic (by wt.)

This product is greater than 95.1% recycle-able when properly disposed of at end of life.

Packaging Materials

- External:
 - Corrugated carton – 360 g
 - Cardboard & misc. – 365 g
- Internal:
 - Polyethylene low density – 15 g
 - EPE - Expanded Polyethylene – 90 g
- The Corrugated carton packaging material is made from 70% – 80% recycled content.
- The Cardboard & misc. packaging material is made from 70% – 80% recycled content.
- The Polyethylene low density packaging material is made from 0% recycled content.
- The EPE –Expanded Polyethylene packaging material is made from 70% – 80% recycled content.

HP follows these guidelines to decrease the environmental impact of product packaging:

- Eliminate the use of heavy metals such as lead, chromium, mercury and cadmium in packaging materials.
- Eliminate the use of ozone-depleting substances (ODS) in packaging materials.
- Design packaging materials for ease of disassembly.
- Maximize the use of post-consumer recycled content materials in packaging materials.
- Use readily recyclable packaging materials such as paper and corrugated materials.



Technical Specifications

Material Usage

- Reduce size and weight of packages to improve transportation fuel efficiency.
- Plastic packaging materials are marked according to ISO 11469 and DIN 6120 standards.

This product does not contain any of the following substances in excess of regulatory limits (for reference of these limits please refer to the HP General Specification of the Environment

(http://www.hp.com/hpinfo/globalcitizenship/environment/supplychain/gen_specifications.html):

- Asbestos
- Certain Azo Colorants
- Certain Brominated Flame Retardants – may not be used as flame retardants in plastics
- Cadmium
- Chlorinated Hydrocarbons
- Chlorinated Paraffins
- Formaldehyde
- Halogenated Diphenyl Methanes
- Lead carbonates and sulfates
- Lead and Lead compounds
- Mercuric Oxide Batteries
- Ozone Depleting Substances
- Polybrominated Biphenyls (PBBs)
- Polybrominated Biphenyl Ethers (PBBEs)
- Polybrominated Biphenyl Oxides (PBBOs)
- Polychlorinated Biphenyl (PCB)
- Polychlorinated Terphenyls (PCT)
- Polyvinyl Chloride (PVC) – except for wires and cables, and certain retail packaging has been voluntarily removed from most applications.
- Radioactive Substances
- Tributyl Tin (TBT), Triphenyl Tin (TPT), Tributyl Tin Oxide (TBTO)
- Nickel finishes that release greater than 0.5 $\mu\text{grams}/\text{cm}^2/\text{week}$, measured according to EN 1811:1998, are not used on any product surface designed to be frequently handled or touched by users.

End-of-life Management and Recycling

Hewlett-Packard offers end-of-life HP product return and recycling programs in many geographic areas. To recycle your product, please go to: <http://www.hp.com/go/reuse-recycle> or contact your nearest HP sales office. Products returned to HP will be recycled, recovered or disposed of in a responsible manner.

The EU WEEE directive (2002/95/EC) requires manufacturers to provide treatment information for each product type for use by treatment facilities. This information (product disassembly instructions) is posted on the Hewlett Packard web site at: <http://www.hp.com/go/recyclers>. These instructions may be used by recyclers and other WEEE treatment facilities as well as HP OEM customers who integrate and re-sell HP equipment.

Hewlett-Packard Corporate Environmental Information

For more information about HP's commitment to the environment: Global Citizenship Report <http://www.hp.com/hpinfo/globalcitizenship/gcreport/index.html> Environment website



Technical Specifications

<http://www.hp.com/environment>

Eco-label certifications

<http://www.hp.com/hpinfo/globalcitizenship/environment/productdesign/ecolabels.html>

ISO 14001 certificates:

<http://www.hp.com/hpinfo/globalcitizenship/environment/operations/envmanagement.html>

Copyright © 2010 Hewlett-Packard Development Company, L.P.

All rights reserved. Microsoft, Windows, Windows 7, Windows Vista and Windows XP are registered trademarks or trademarks of Microsoft Corporation in the U.S. and/or other countries. Phenom, Turion, and Athlon are registered trademarks or trademarks of AMD Corporation in the U.S. and/or other countries. Bluetooth is a registered trademark of Bluetooth SIG, Inc., in the U.S. and other countries. All other product names mentioned herein may be trademarks of their respective companies.

The information contained herein is subject to change without notice and is provided "as is" without warranty of any kind. The warranties for HP products are set forth in the express limited warranty statements accompanying such products. Nothing herein should be construed as constituting an additional warranty. HP shall not be liable for technical or editorial errors or omissions contained herein.

